





Selection guide for cavity pressure sensors

1) SELECTION OF SENSOR TYPE

Type	Direct measurement		Indirect measurement	
				
	E 6740/2,5	E 6740/4,0	E 6750/3,5/600*	E 6750/6,0
Diameter	2.5 mm	4 mm	3.5 mm	6 mm
Measuring range	0-2,000 bar	0-2,000 bar	0-250 N	0-2,500 N
Nominal sensitivity	-2 pC/bar	-9.4 pC/bar	-12 pC/N	-4.5 pC/N
Mould temperature	0-200 °C	0-200 °C	0-200 °C	0-150 °C
Melt temperature	< 400 °C	< 400 °C	-	-
Selection	<input type="checkbox"/>	<input type="checkbox"/>	<input type="checkbox"/>	<input type="checkbox"/>

* E 6750/3,5/600 is pre-assembled with a coaxial cable / multi-channel connection not possible

2) SELECTION OF CONNECTION TYPE AND CABLE TECHNOLOGY

Connection type	Cable technology	Continue with the selection of the connection components	Selection
Single-channel	Single-wire	see 3.1	<input type="checkbox"/>
	Coaxial	see 3.2	<input type="checkbox"/>
Multi-channel	Single-wire	see 4.1	<input type="checkbox"/>
	Coaxial	see 4.2	<input type="checkbox"/>

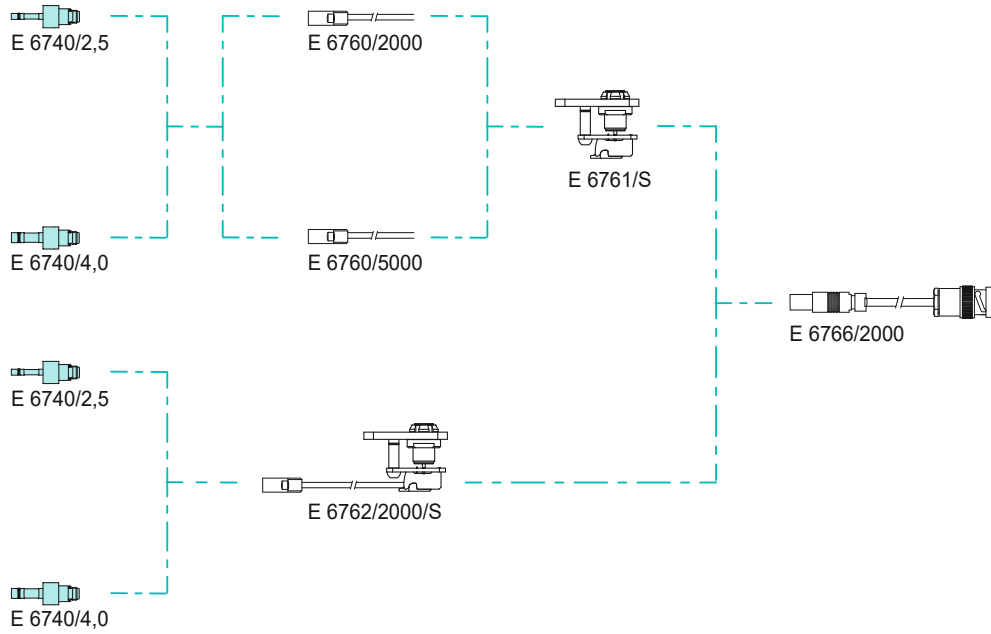
Single-channel: transmission of single sensor signals to the charge amplifier

Multi-channel: transmission of multiple sensor signals from the outside of the mould

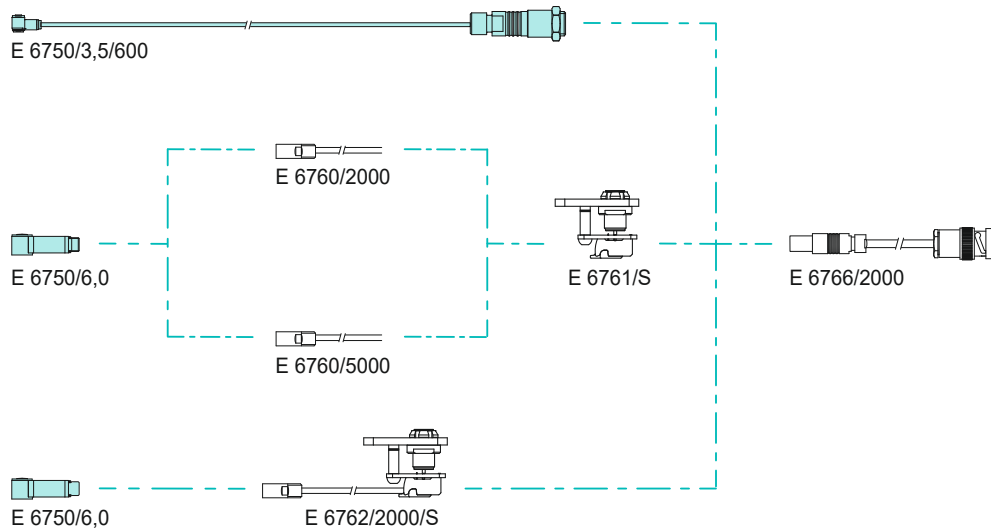
3) SELECTION OF THE MATCHING COMPONENTS FOR SINGLE-CHANNEL CONNECTION

3.1 Single-channel & single-wire

Cavity pressure sensors, direct

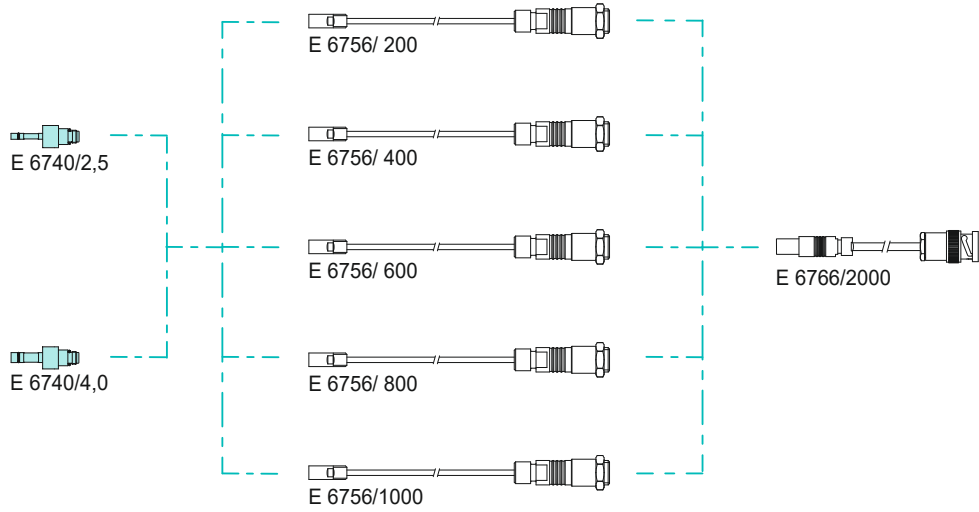


Cavity pressure sensors, indirect

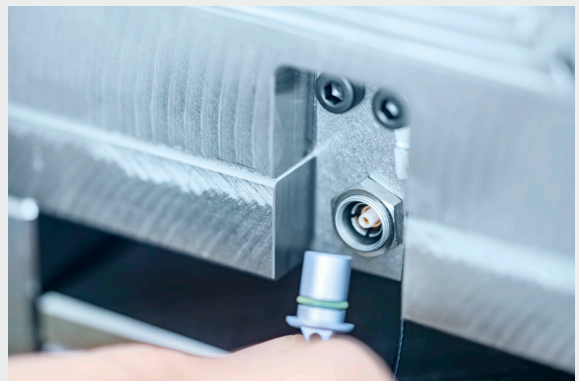
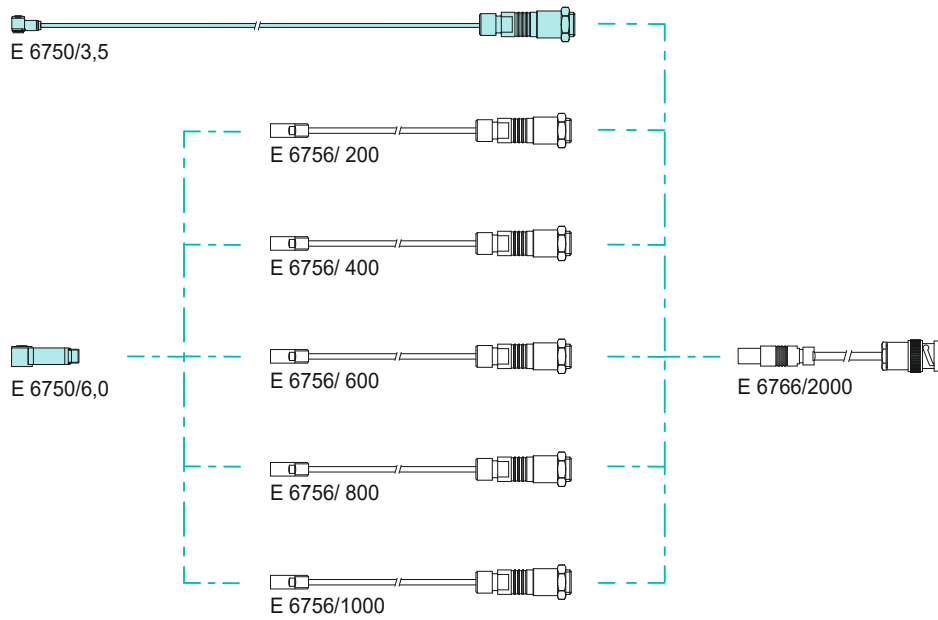


3.2 Single-channel & coaxial

Cavity pressure sensors, direct



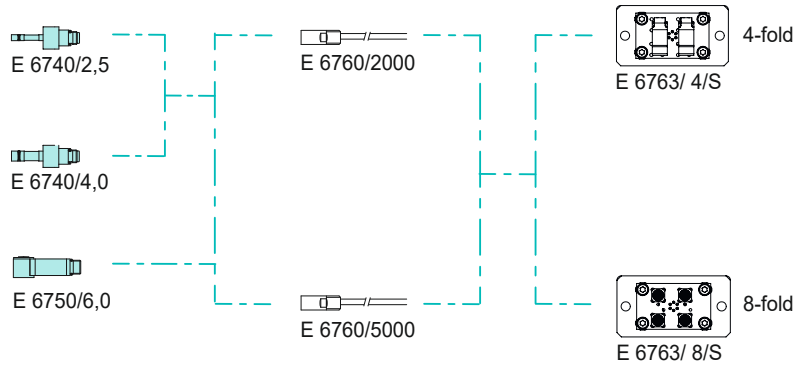
Cavity pressure sensors, indirect



4) SELECTION OF THE MATCHING COMPONENTS FOR MULTI-CHANNEL CONNECTION

4.1 Multi-channel & single-wire

Cavity pressure sensors, direct and indirect



4.2 Multi-channel & coaxial

Cavity pressure sensors, direct and indirect

